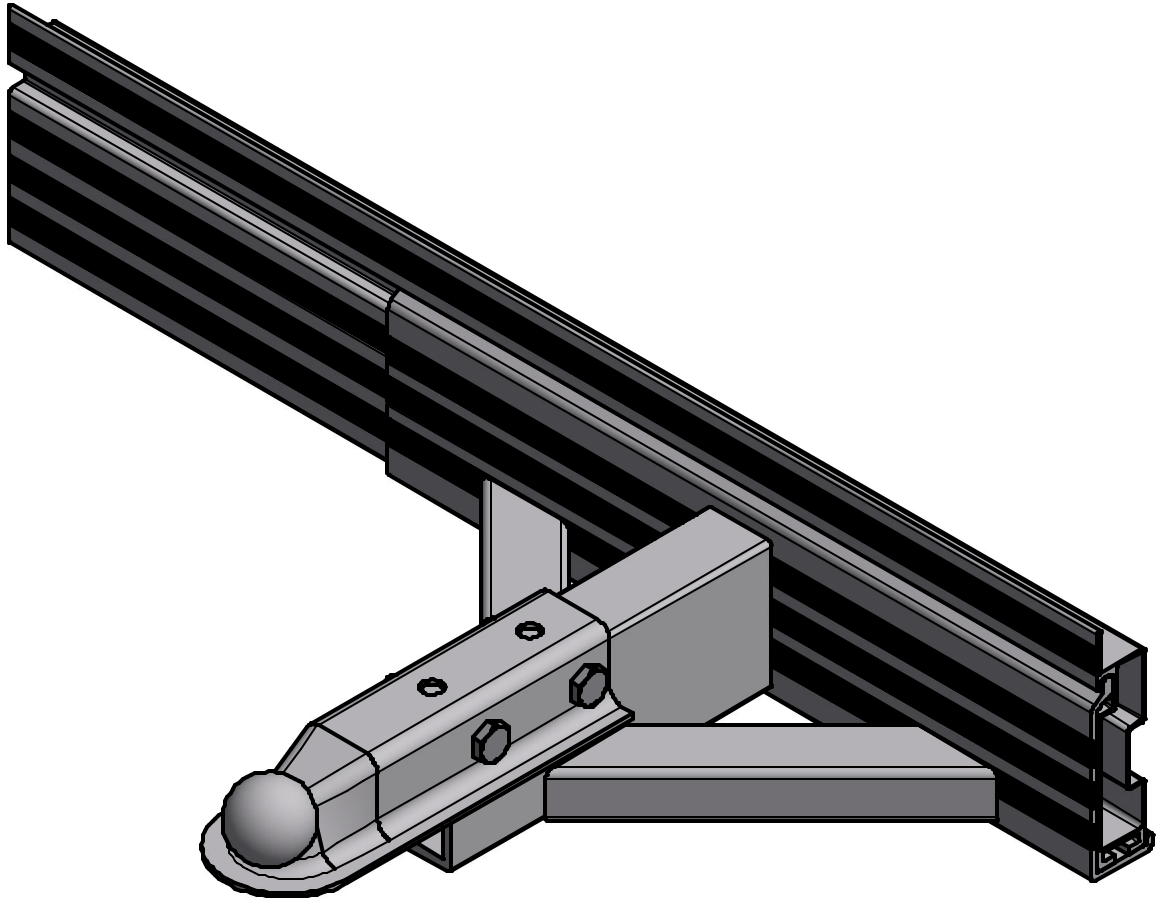
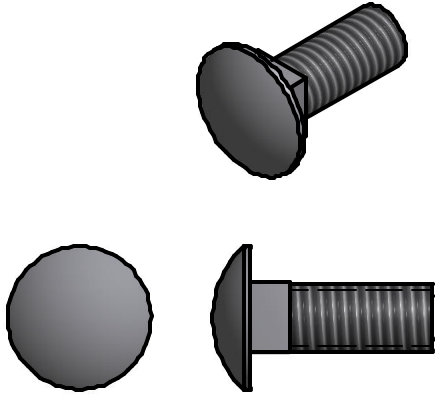




## Tow Hitch

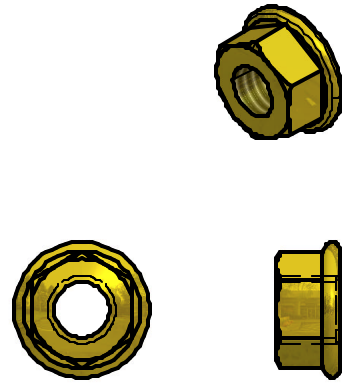


1



3/8 X 1" CAR SS BOLTS (2 REQ'D)

2



3/8 FLANGE NUTS BRASS (2 REQ'D)

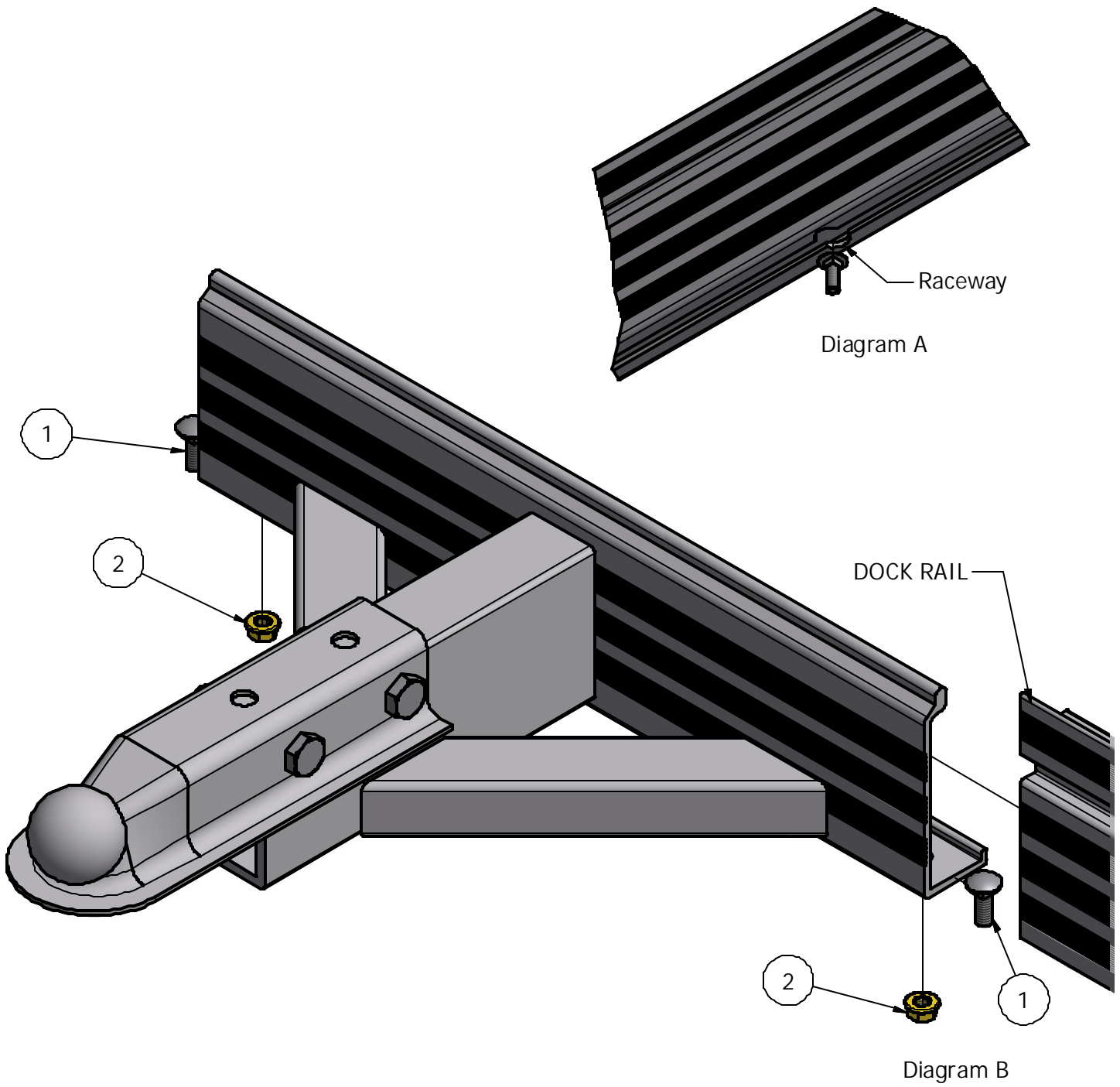
**To insure your safety while assembling your Voyager product:**

- Fully read and understand the assembly instructions
- Do not assemble this product if items are missing or damaged
- Wear protective gloves, clothing and eye wear when assembling this product
- Check tightness of all hardware each year to avoid injury

**Installation procedure**

The following tools will be needed: 9/16" wrench

1. Insert head of carriage bolts into raceway on the underside of the dock rail on end of dock and slide one towards each side of the dock. **Per diagram A.**
2. Hook bracket into dock rail and put carriage bolts into bracket and attach flange nuts. **Per diagram B.**
3. Take 9/16" wrench and tighten flange nut.



PARTS LIST			
ITEM	QTY	PART NUMBER	DESCRIPTION
1	2	HD-00059	3/8" X 1" CAR BOLT (S/S)
2	2	HD-00056	3/8 BRASS FLANGE NUT