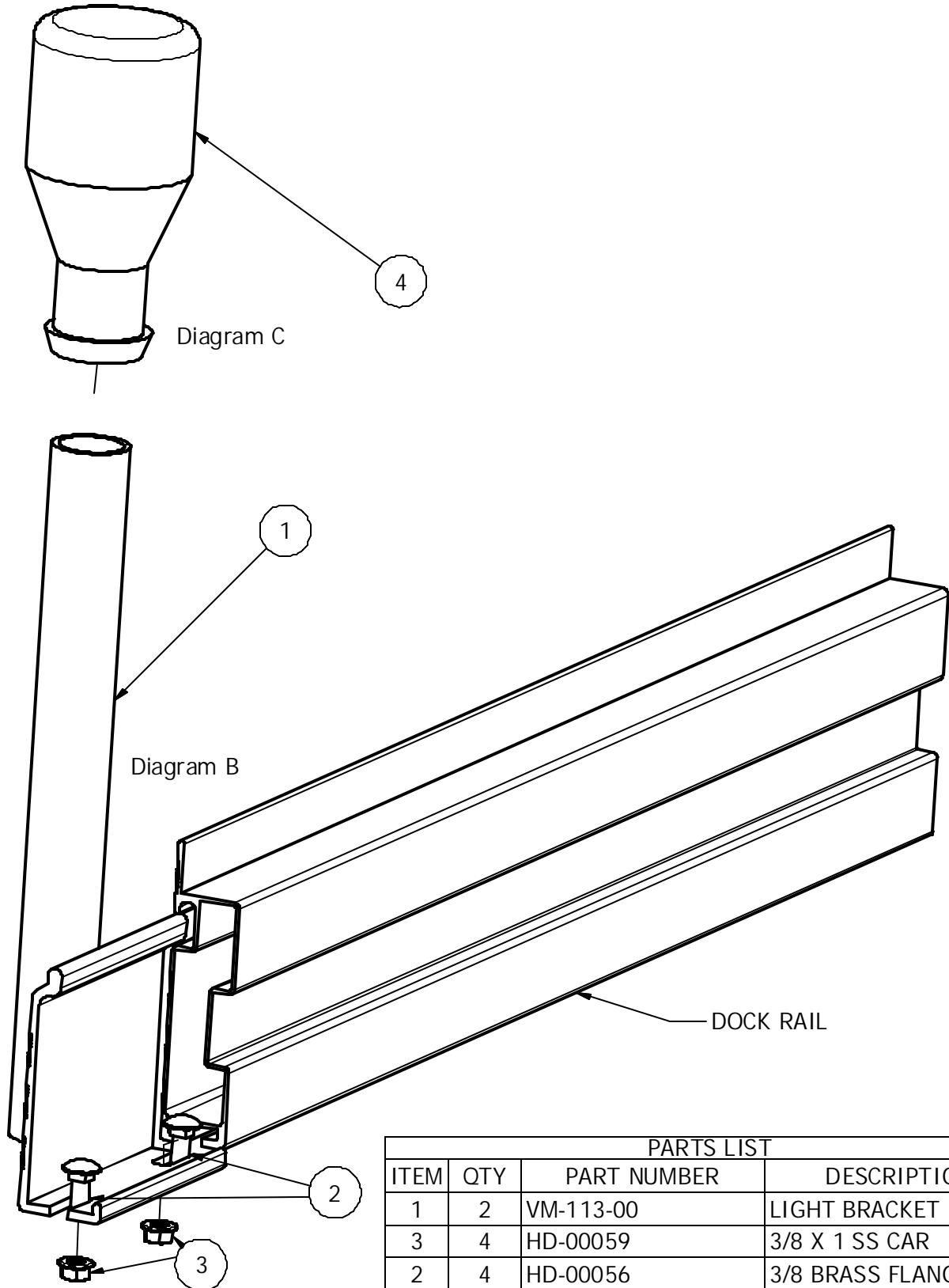
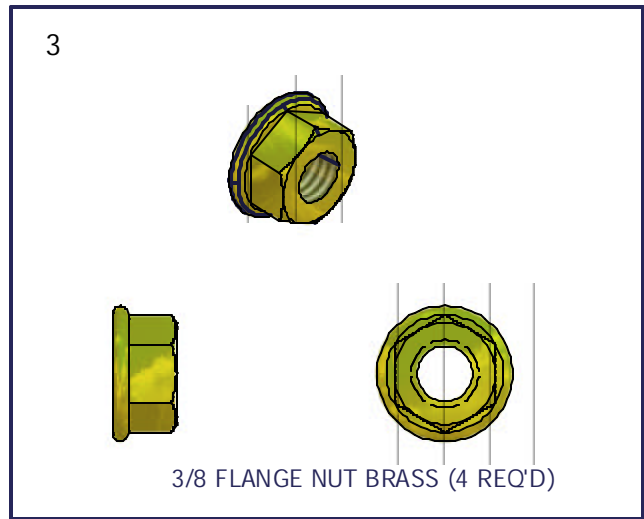
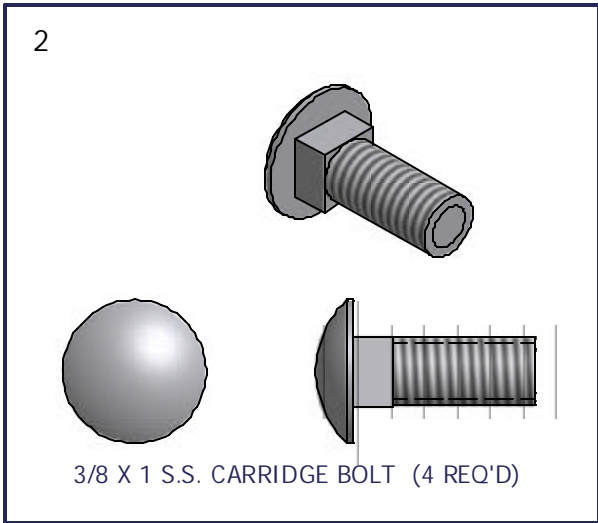


## VM-113 SOLAR LIGHT ASSEMBLY



PARTS LIST			
ITEM	QTY	PART NUMBER	DESCRIPTION
1	2	VM-113-00	LIGHT BRACKET
3	4	HD-00059	3/8 X 1 SS CAR
2	4	HD-00056	3/8 BRASS FLANGE NUT
4	2	VM-113-01	2X DOCK LIGHT



### Installation procedure

The following tool will be needed: 9/16" wrench

1. Insert head of carriage bolts into raceway on the underside of rail and slide to desired location on dock (**per diagram A**).
2. Slide bracket into dock rail and put carriage bolts into bracket and attach flange nuts (**per diagram B**).
3. Take 9/16 wrench and tighten flange nut.
4. Take light and slide onto light bracket (**per diagram C**).
5. Repeat steps 1-4 for other light.

