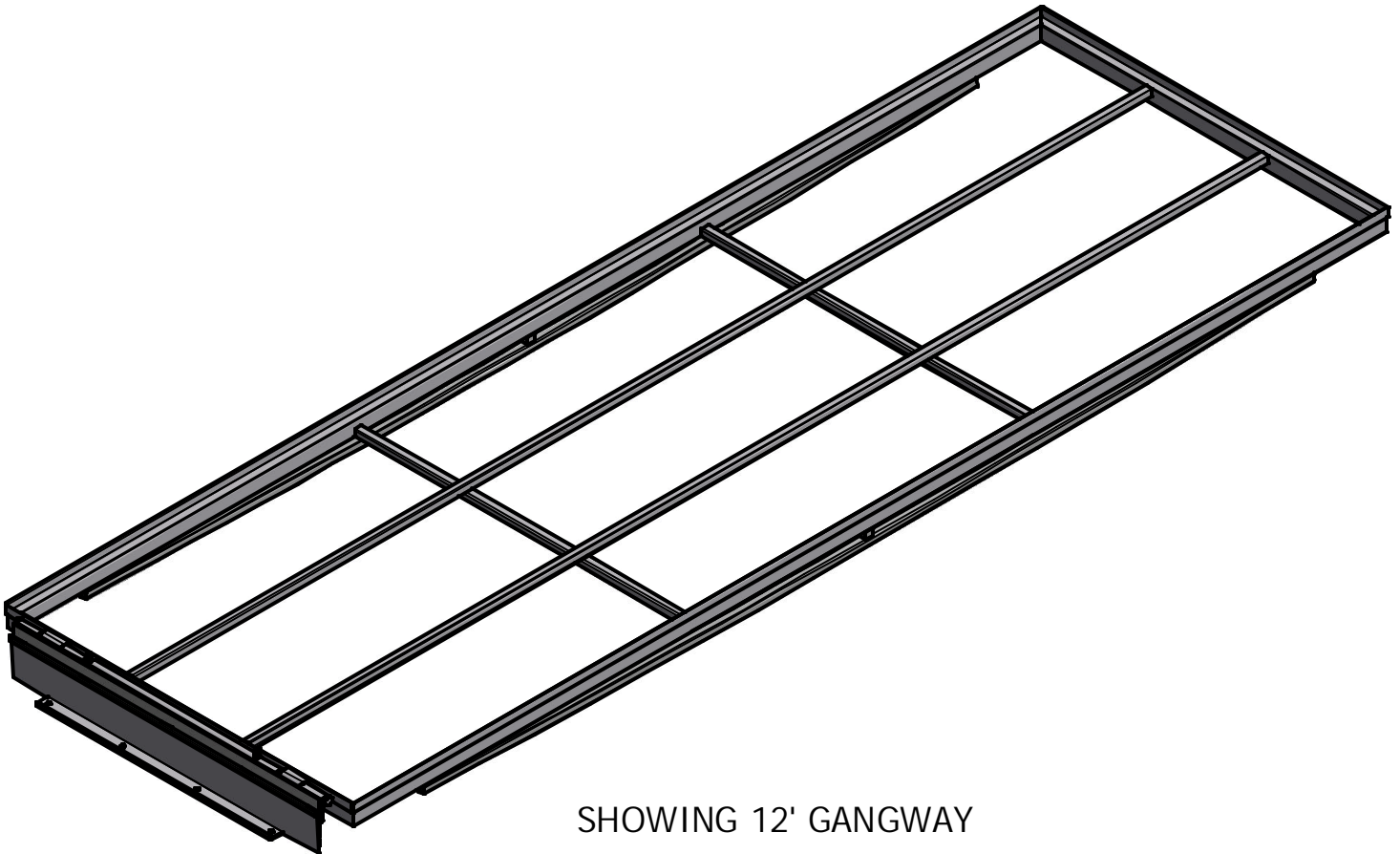


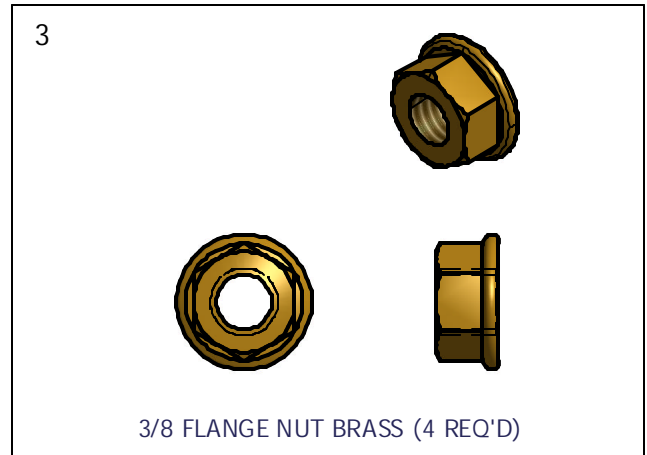
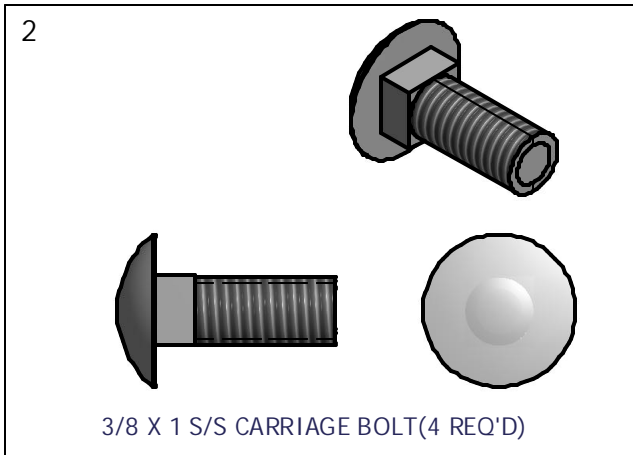


Gangway & Hinge



SHOWING 12' GANGWAY

PARTS LIST			
ITEM	QTY	PART NUMBER	DESCRIPTION
1	1	VM-171-00	12 FT GANGWAY
2	4	HD-00059	3/8 X 1 S/S CARRIAGE
3	4	HD-00056	3/8 BRASS FLANGE NUT



To insure your safety while assembling your Voyager product:

- Fully read and understand the assembly instructions
- Do not assemble this product if items are missing or damaged
- Wear protective gloves, clothing and eye wear when assembling this product
- Check tightness of all hardware each year to avoid injury

Installation procedure

The following tool will be needed: 9/16" wrench

1. Insert head of carriage bolts (4) into raceway on the underside of the rail on shore end of dock. **Per diagram A.**
2. Hook gangway hinge channel to end of dock, lining up carriage bolts with holes. **Per diagram B.**
3. Attach flange nuts to 4 carriage bolts.
4. Take 9/16 wrench and tighten flange nut.

DIAGRAM A

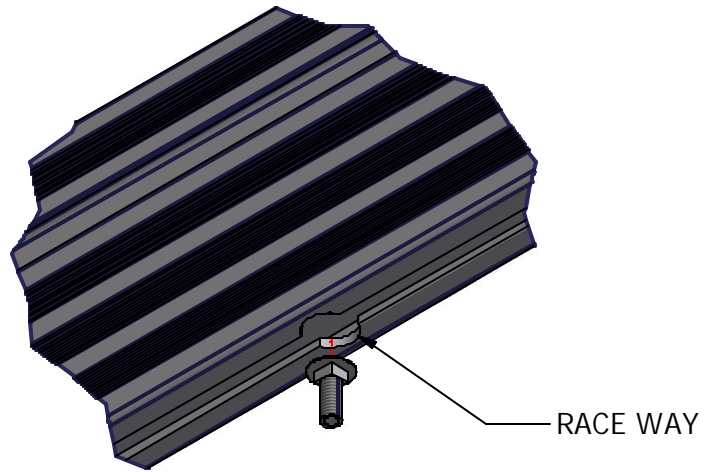


DIAGRAM B

